

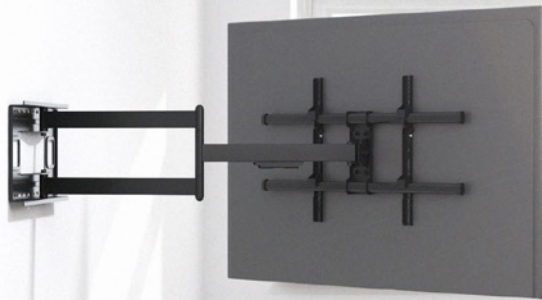
LogiLink®



Full Motion TV Wall Mount
For 43"-80" Flat and Curved TVs

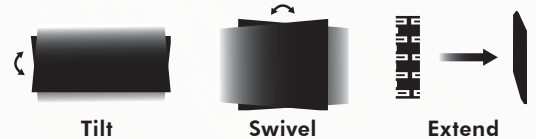
Art. No.: BP0138

101.5cm
← Extra Arm Extension →



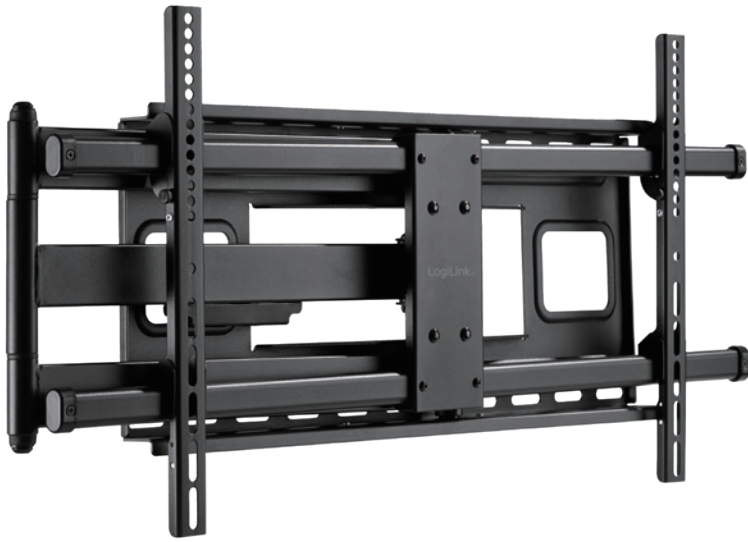
View Beyond the Frame

Immerse yourself in a better viewing experience with this Full Motion TV Wall Mount; comes with an extra arm extension, tilt and swivel for creating the best viewing angles. A perfect combination of functional design, quality and value.



*The specifications and pictures are subject to change without prior notice.
*All trade names referenced are the registered trademarks of their respective owners.



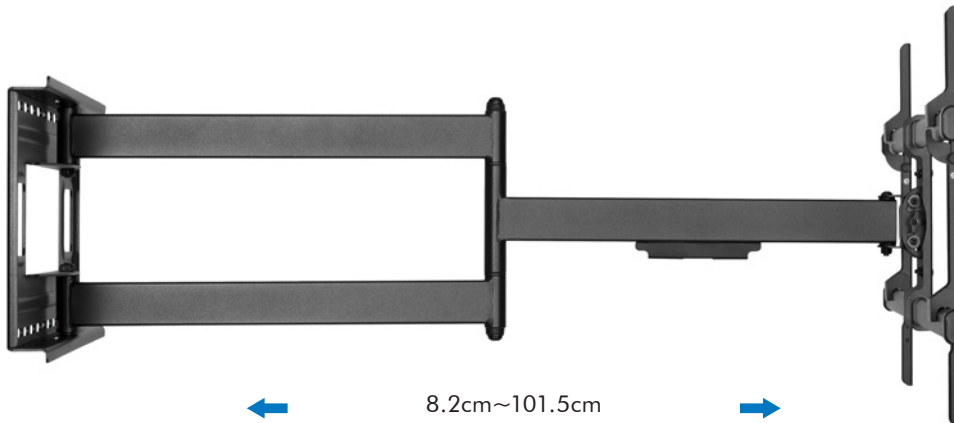


Enhance Your Viewing Experience

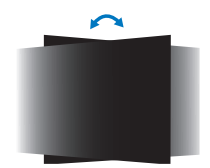
The TV wall mount keeps your TV as close as 8.2cm from the wall for out-of-the-way convenience, but can be extended out to 101.5cm. It also swivels 180° and tilts -15° to 5°. Perfect for providing great viewing angles from anywhere in the room.



Tilt
-15°~5°



8.2cm~101.5cm



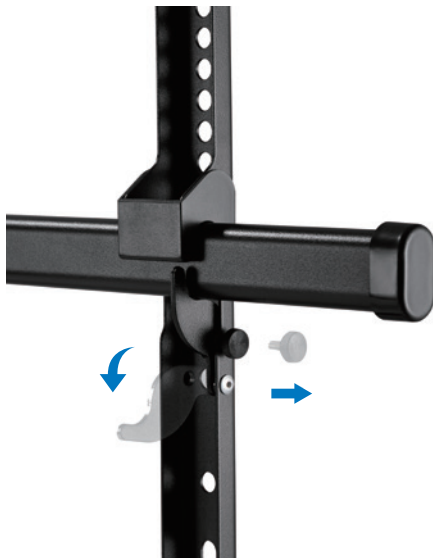
Swivel
-90°~90°



Screen Level
-3°~3°

Convenient Quick-Release Design

The quick-release latches allow you effortless monitor installation and removal.



Keep Your Display Safe with Durable Construction

The High-quality steel mount ensures durability and stability; supporting TV weights up to 50kg. Integrated cable management creates a clean and tidy appearance.



*The specifications and pictures are subject to change without prior notice.
*All trade names referenced are the registered trademarks of their respective owners.





Specifications:

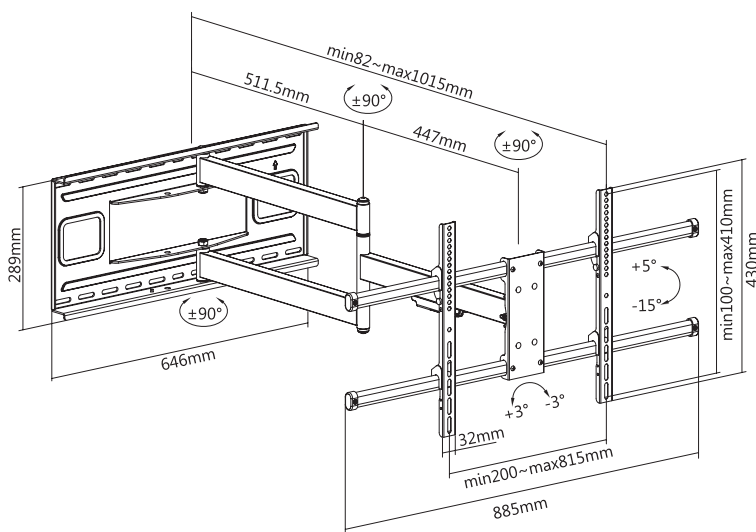
Screen Size	43"-80" flat/curved TVs
Weight Capacity	50kg
VESA Plate Compatible	200x200, 300x200, 300x300, 400x200, 400x300, 400x400, 600x400, 800x400, 819x410mm
Tilt	-15°~5°
Swivel	-90°~90°
Screen Level	-3°~3°
Wall Clearance	8.2~101.5cm
Bubble Level	Hook-on bubble level
Material	Steel
Color	Black
Dimensions	101.5 x 88.5 x 43cm

Package Contents:

- » 1 x TV Wall Mount
- » 1 x Screw Package
- » 1 x User Manual

Package Information:

- » Packing Dimension: mm
- » Packing Weight: kg
- » Carton Dimension: mm
- » Carton Q'ty: pcs
- » Carton Weight: kg



Best Connectivity



*The specifications and pictures are subject to change without prior notice.
 *All trade names referenced are the registered trademarks of their respective owners.

